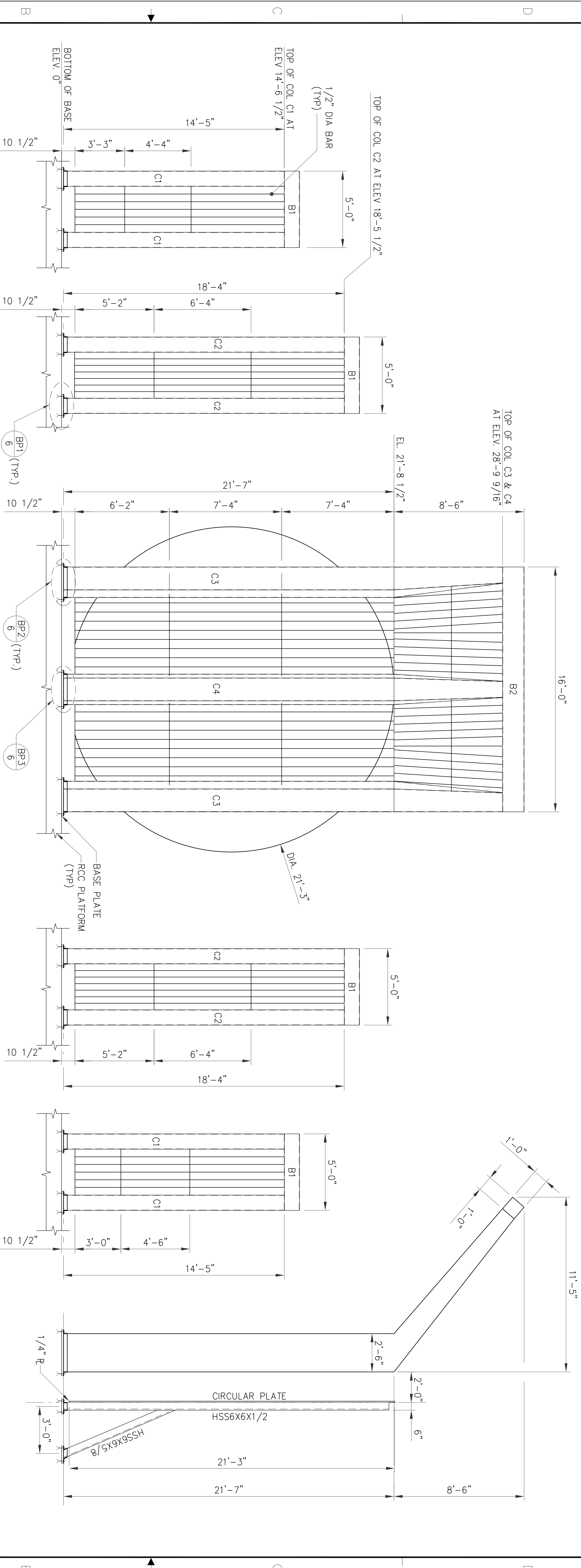


NOTES:
1. FOR GENERAL NOTES SEE SHEET 1

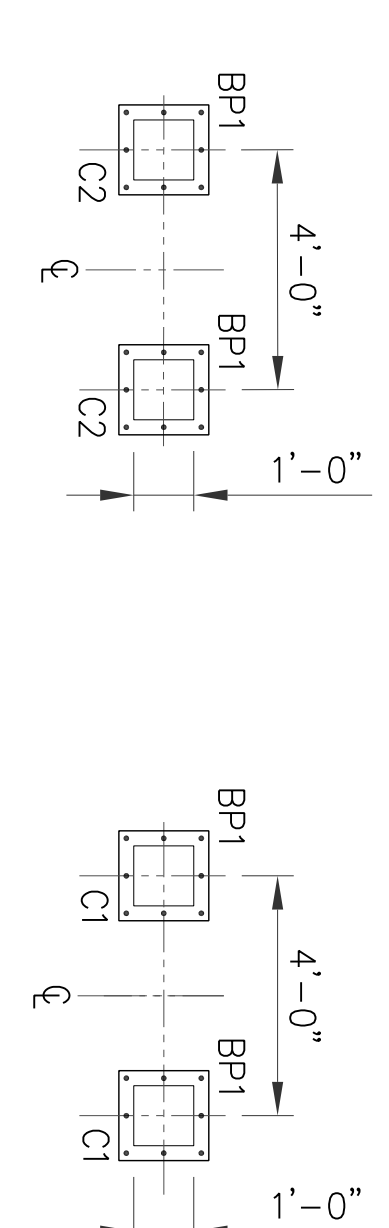
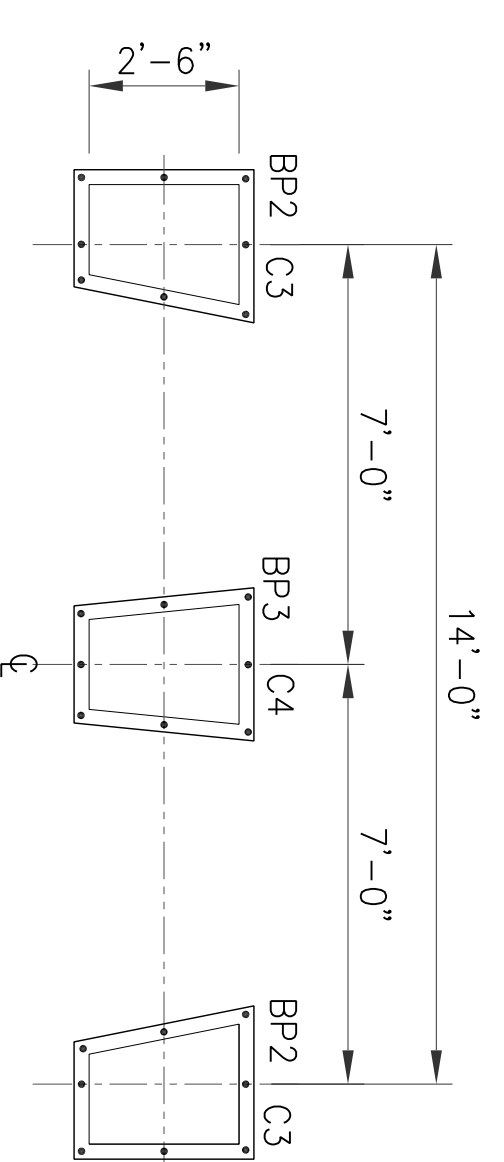
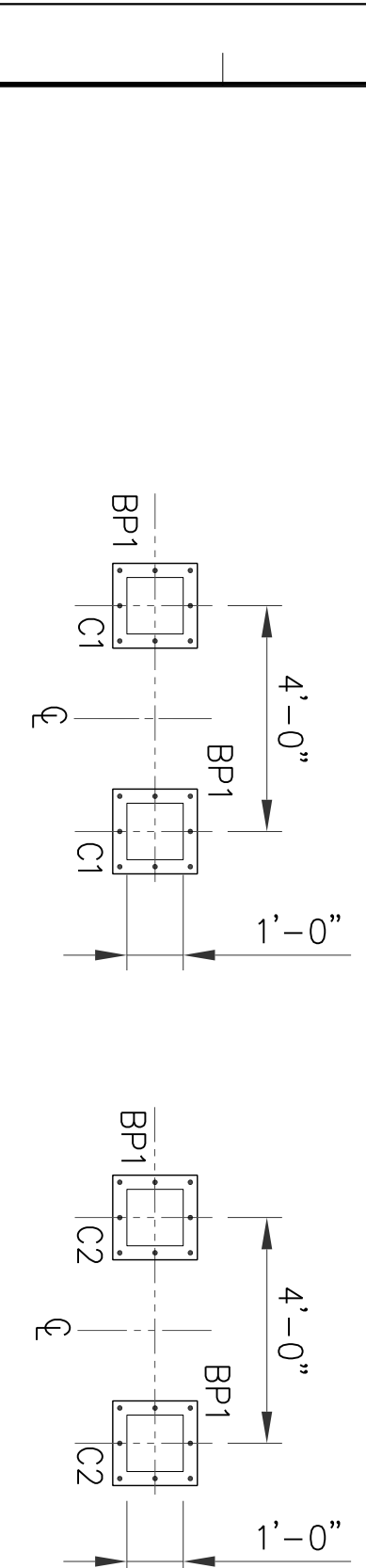


ELEVATION B
SCALE: NTS, REF. DWG. 2

ELEVATION A
SCALE: NTS, REF. DWG. 2

ELEVATION B
SCALE: NTS, REF. DWG. 2

ELEVATION B
SCALE: NTS, REF. DWG. 2



COLUQMN	SECTION	BEAM	SECTION
C1	HSS12X12X5/16(TYP)	B1	HSS12X12X5/16(TYP)
C2	HSS12X12X5/16(TYP)	B2	HSS12X12X5/16(TYP)
C3	SEE SHEET NO. 4		
C4	SEE SHEET NO. 4		

REF. DRAWINGS

DESCRIPTION

DWG. NO.

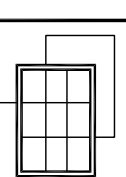
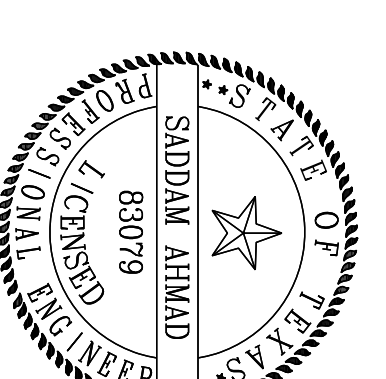
SHEET NO. 2

SHAHEED MINAR PLAN VIEW

NO.	BY	DATE	REVISION
0	NH	06/29/10	APPROVED FOR CONSTRUCTION
1	NH	05/20/10	REVISED FOR APPROVAL
2	MSJ	03/09/10	ISSUED FOR APPROVAL

NO.	BY	DATE	REVISION
3	MTS	06/29/10	
4	MTS	05/20/10	
5	MH	03/09/10	

NO.	BY	DATE	REVISION
6	CHKD.	DATE	



ENGINEERING ALLIANCE INC.
F-10447

DATE: 06/29/10
PROJECT NO: BAC10003

MAHS
Engineering Alliance Inc.

BANGLADESH AMERICAN CENTER

SHAHEED MINAR ELEVATION VIEW

SCALE: N.T.S.
DWG. SHEET: 3 OF 8