

NOTES:  
1. FOR GENERAL NOTES SEE SHEET 1

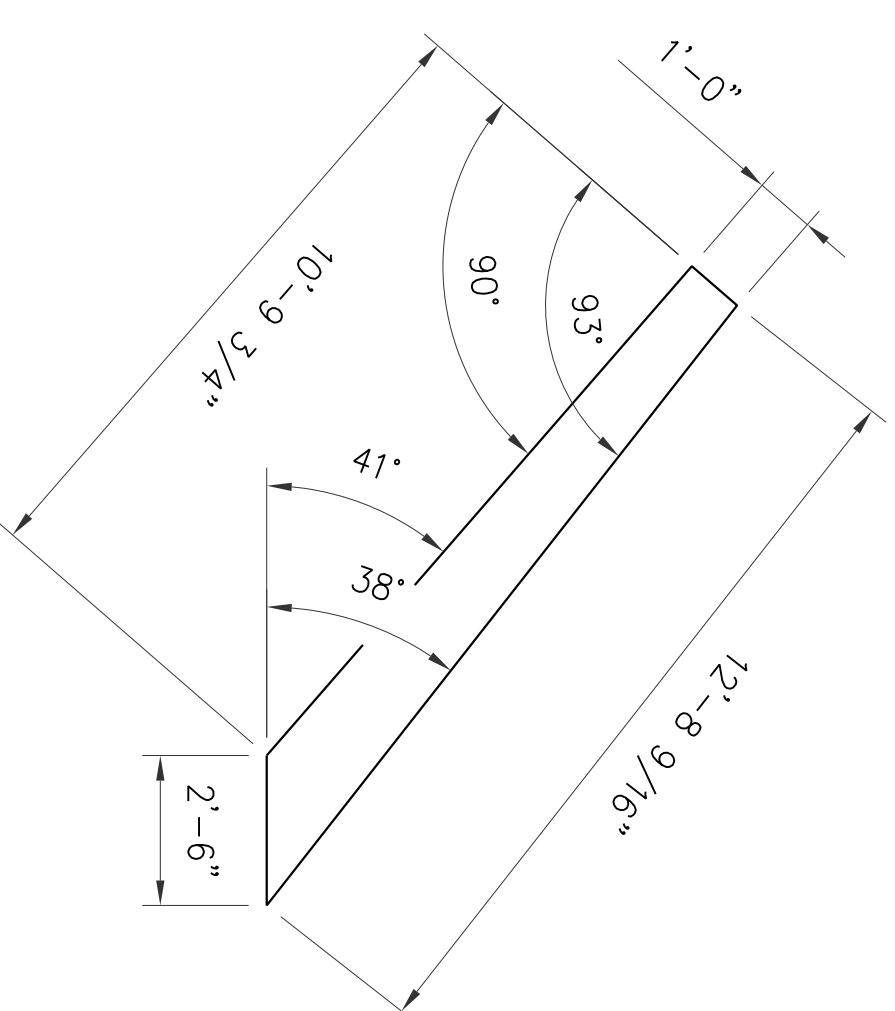
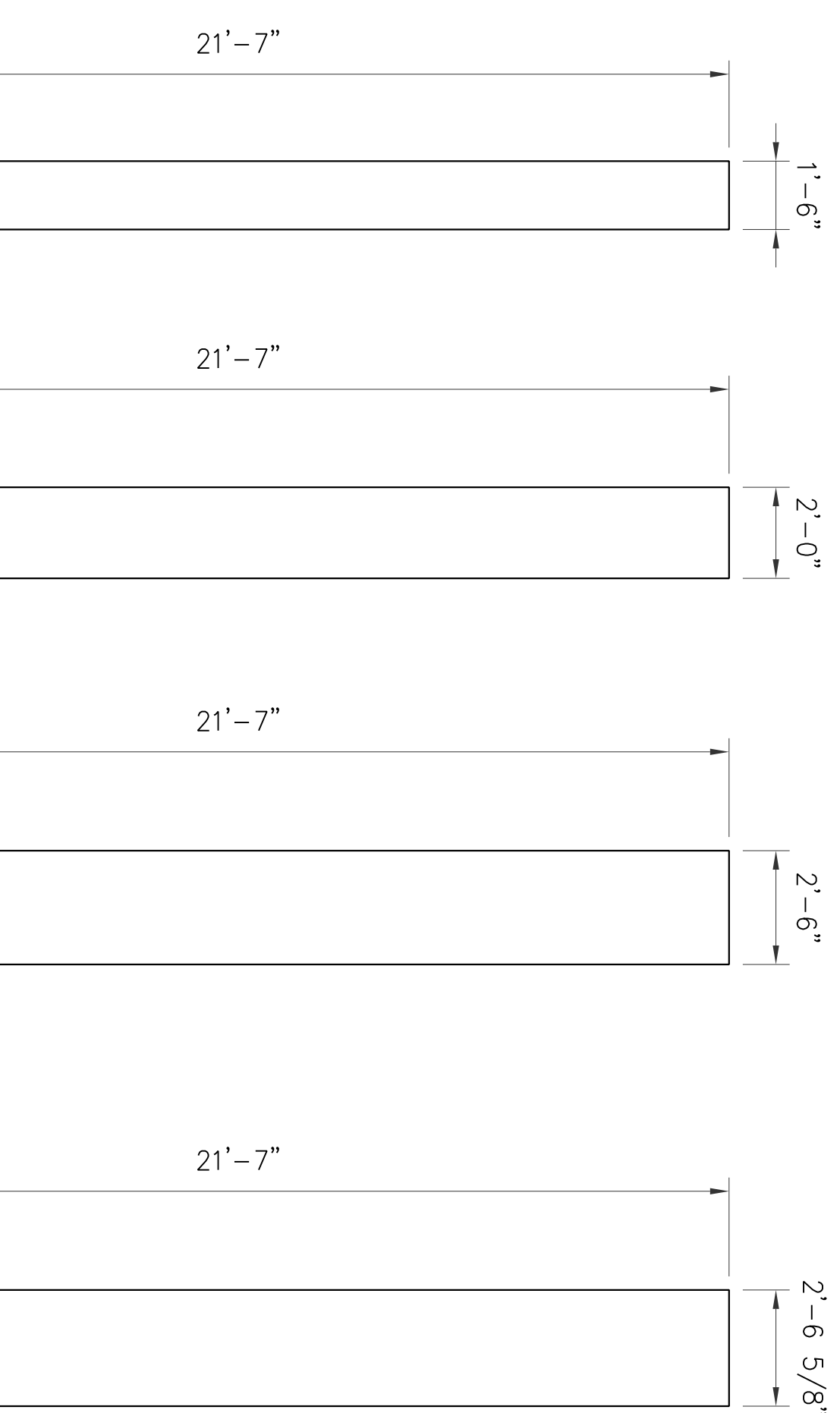


PLATE 7  
(2 REQUIRED)

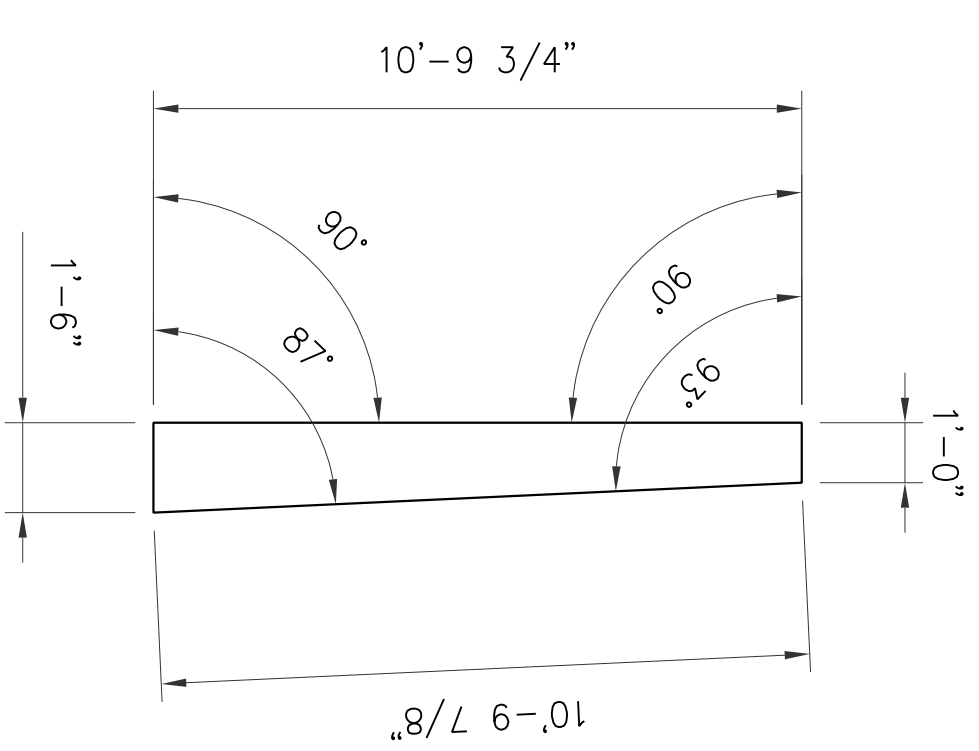


PLATE 5  
(2 REQUIRED)

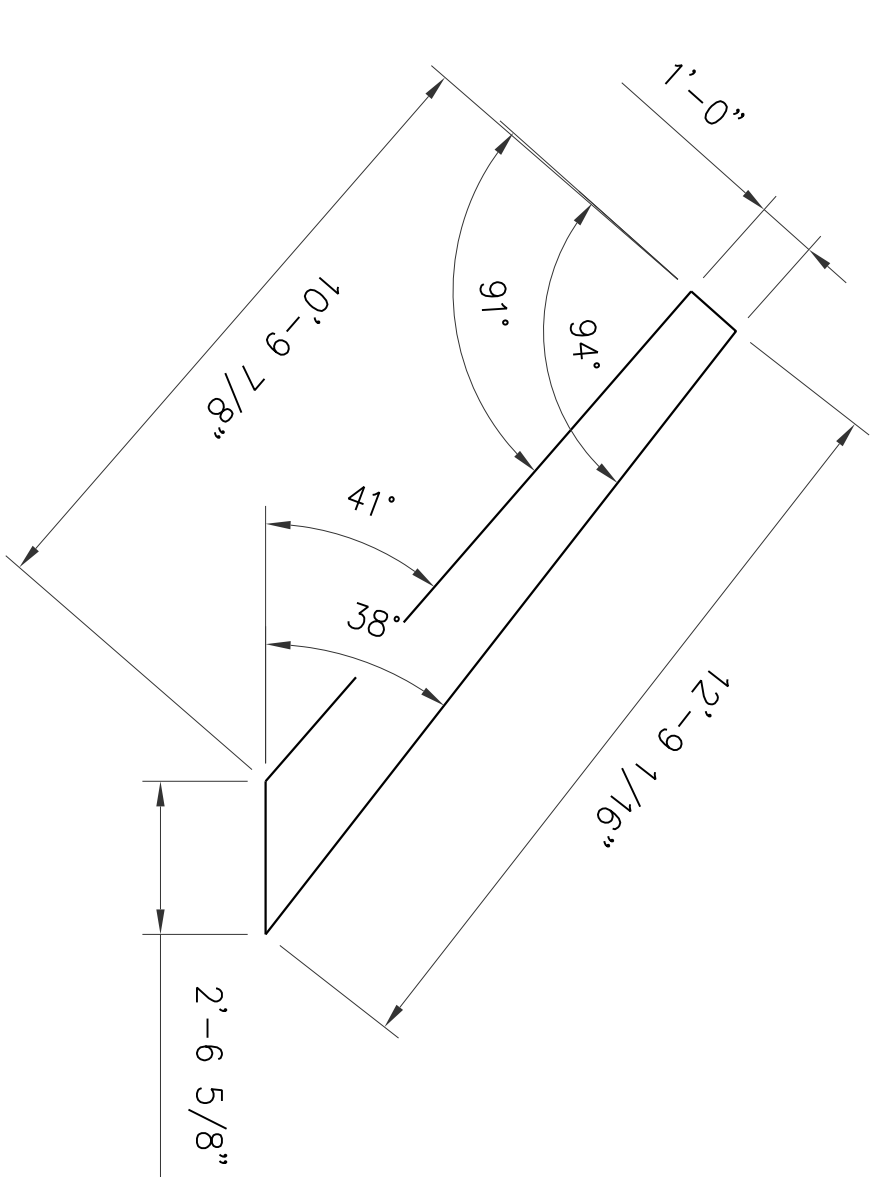


PLATE 8  
(2 REQUIRED)

REQUIRED PLATE DIMENSIONS FOR COLUMN C3

PLATE 1  
(2 REQUIRED)

PLATE 2  
(2 REQUIRED)

PLATE 3  
(2 REQUIRED)

PLATE 4  
(2 REQUIRED)

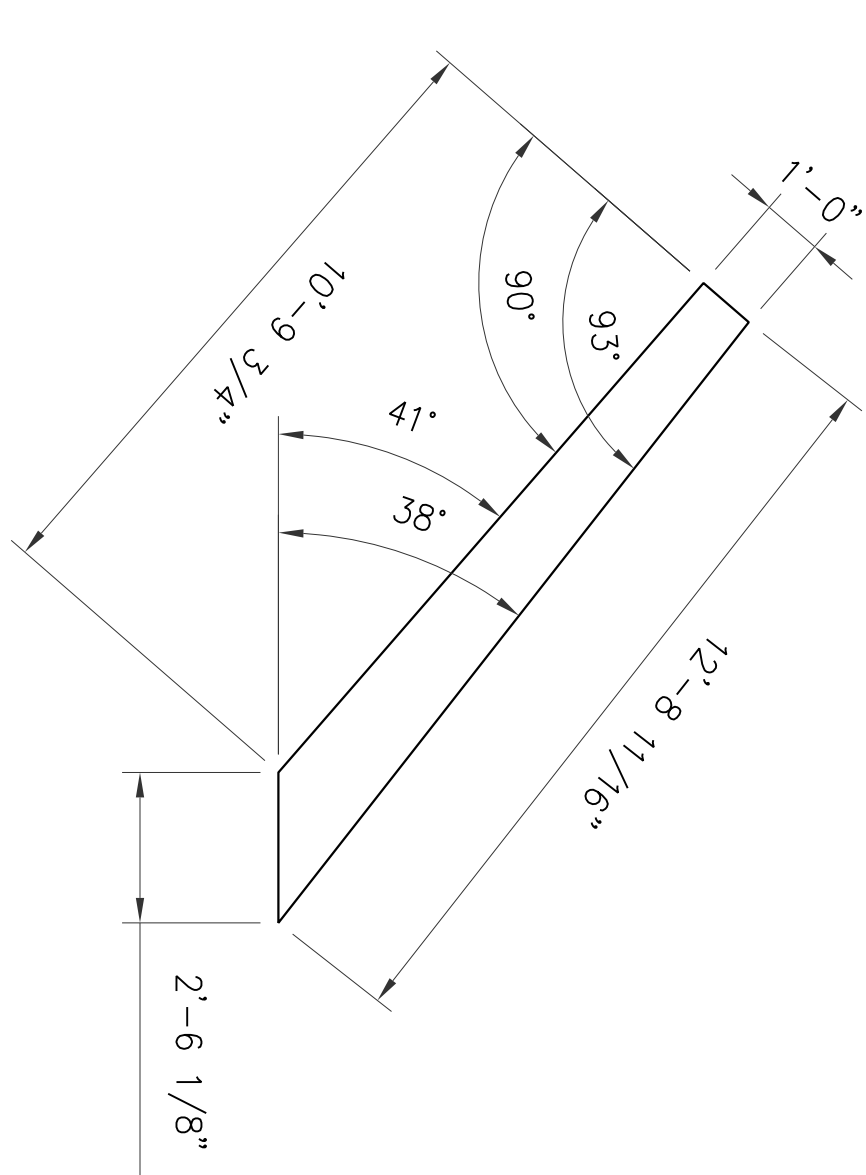
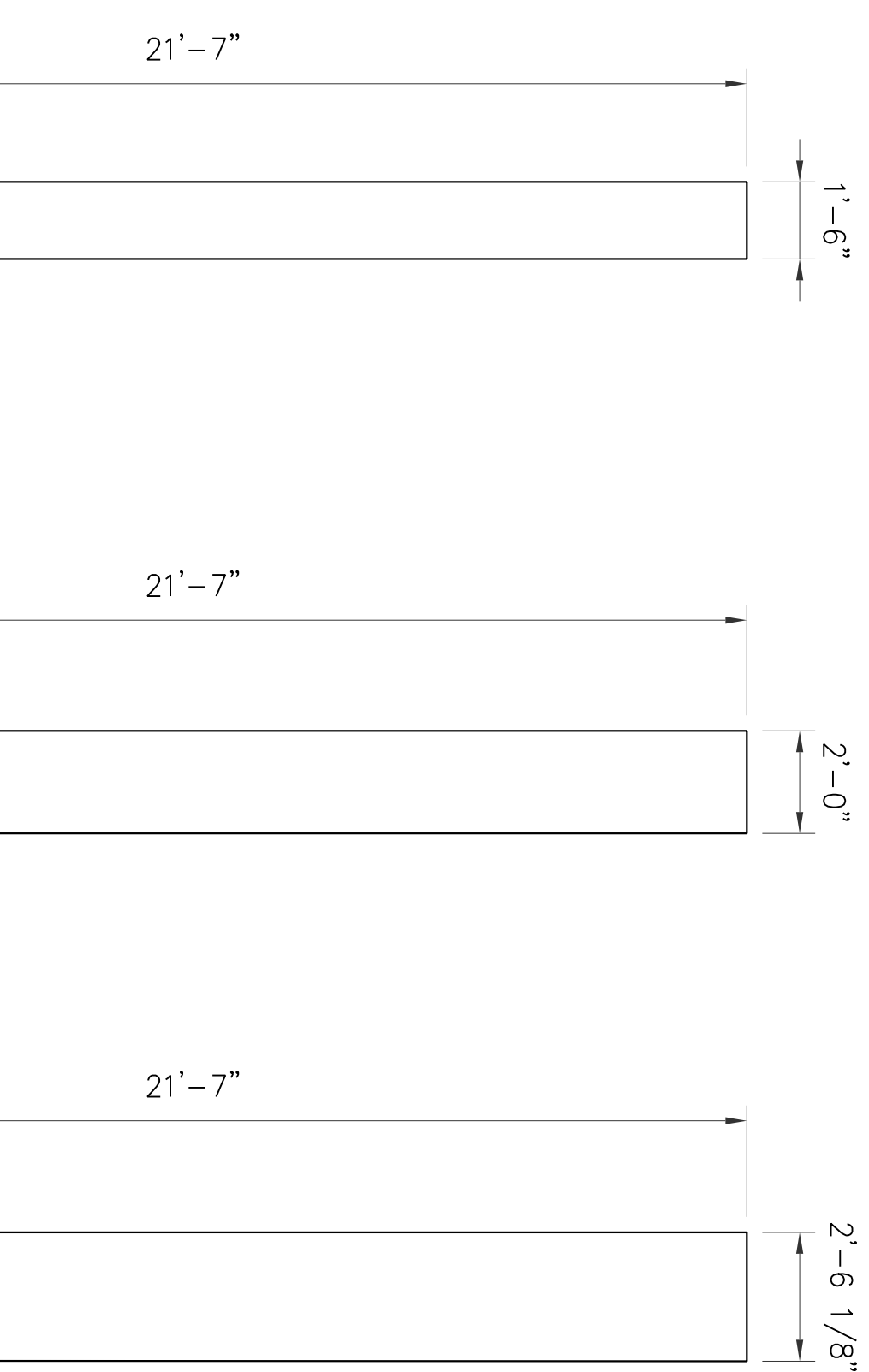


PLATE 14  
(2 REQUIRED)

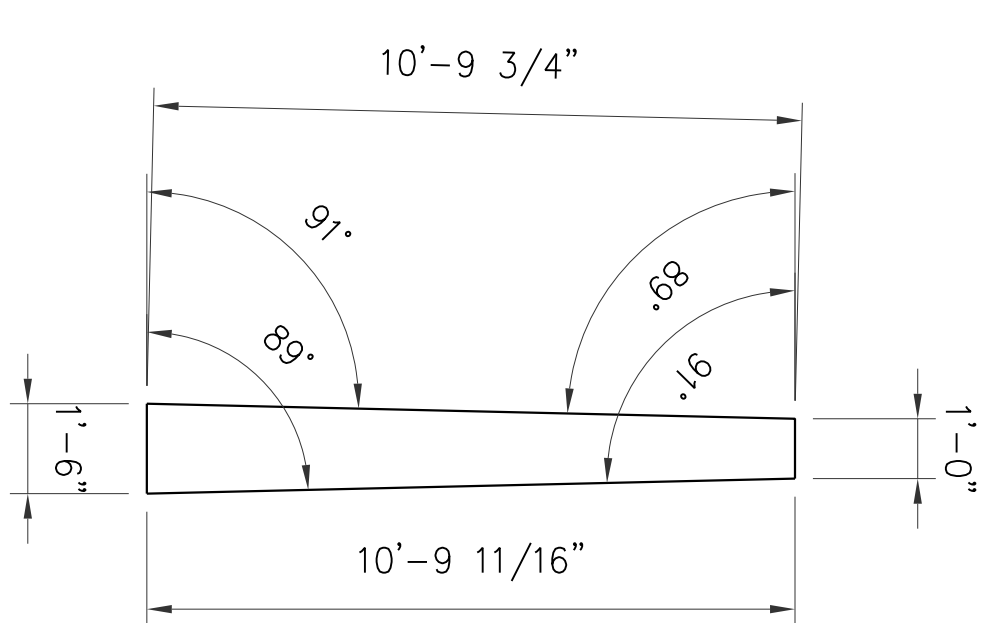


PLATE 12

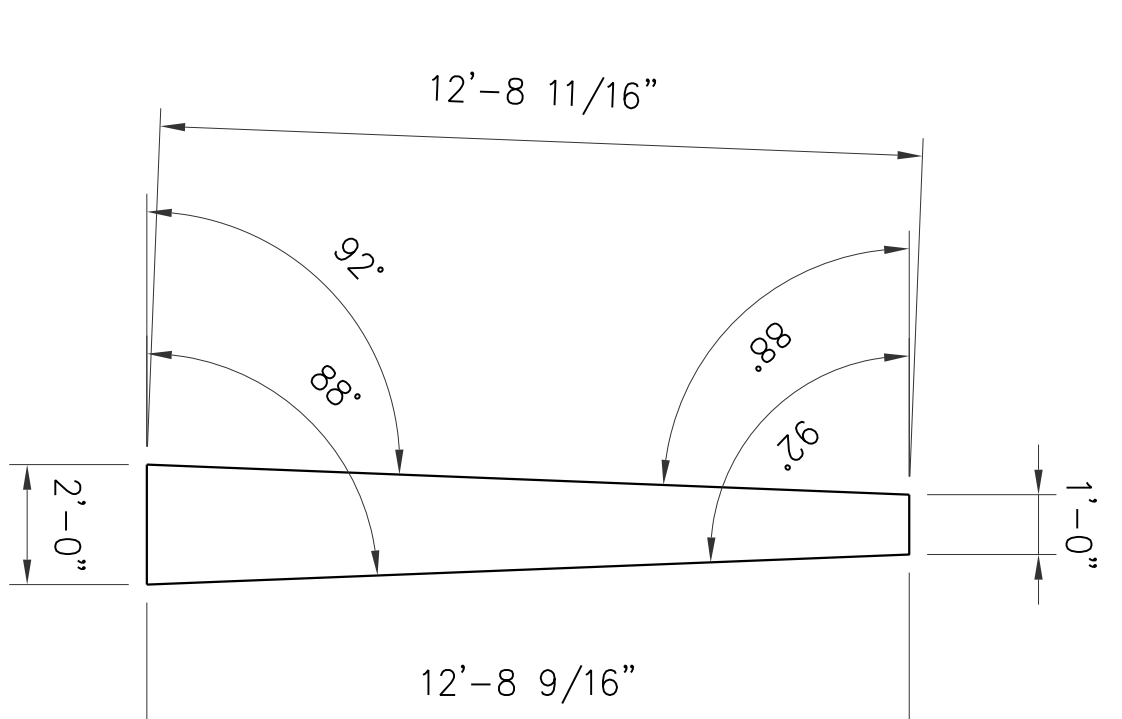


PLATE 13

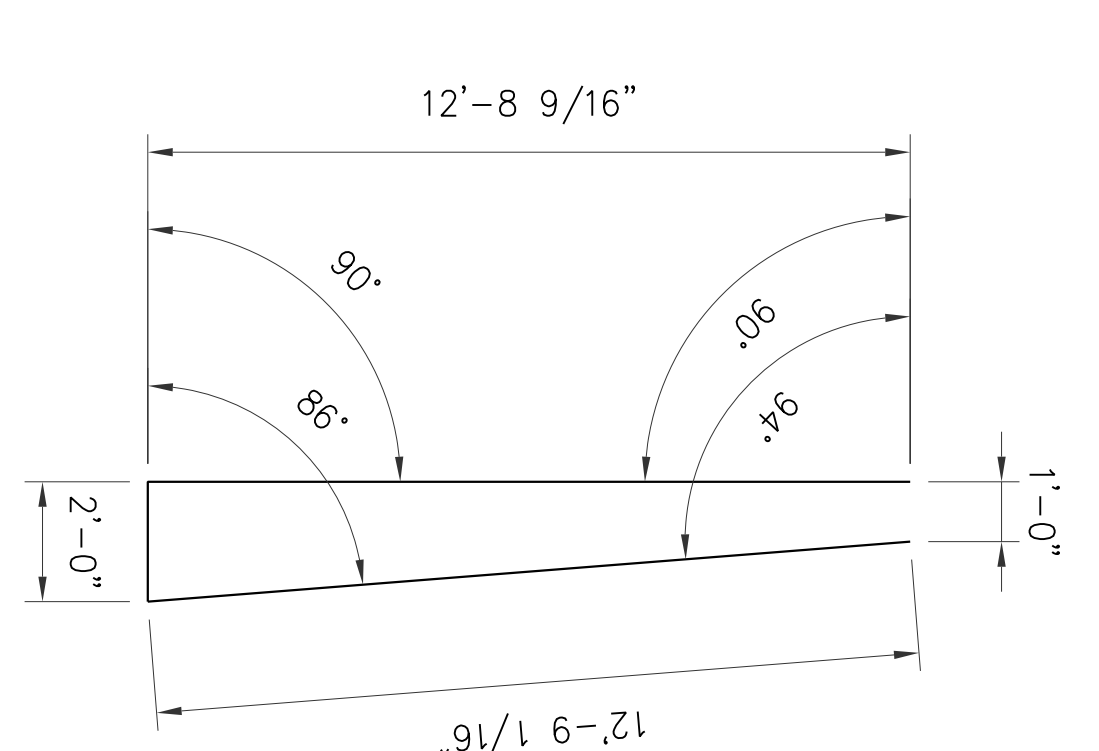


PLATE 6  
(2 REQUIRED)

REQUIRED PLATE DIMENSIONS FOR COLUMN C4

PLATE 9

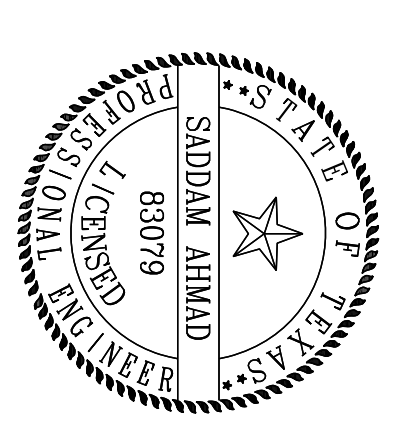
PLATE 10

PLATE 11  
(2 REQUIRED)

REF. DRAWINGS

DWG. NO.	DESCRIPTION
SHEET NO. 3	SHAHEED MINAR ELEVATION VIEW
SHEET NO. 4	COLOUMN SCHEDULE

NO.	BY	DATE	REVISION
0	NH	06/29/10	APPROVED FOR CONSTRUCTION
B	NH	05/20/10	REVISED FOR APPROVAL
A	MSJ	03/09/10	ISSUED FOR APPROVAL



ENGINEERING ALLIANCE INC.  
F-10447

DRAWN BY: MAHS	DATE: 06/29/10	STRUCTURAL DESIGNER: Engineering Alliance Inc.	PROJECT NO: BAC10003
BANGLADESH AMERICAN CENTER			REVISION: 0
SHAHEED MINAR			SCALE: N.T.S.
COLOUMN PLATE DETAILS			DWG. SHEET: 5 OF 8